



Company \_\_\_\_\_

Contact \_\_\_\_\_

Phone \_\_\_\_\_ Fax \_\_\_\_\_

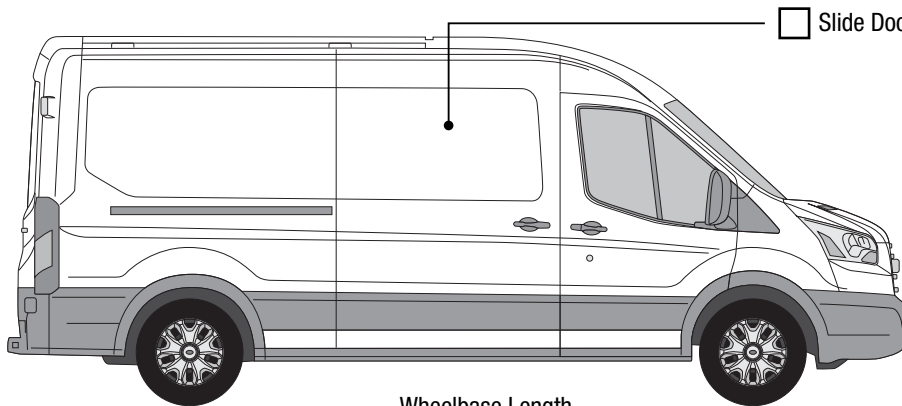
Email \_\_\_\_\_

Vehicle: Make \_\_\_\_\_ Model \_\_\_\_\_

Year \_\_\_\_\_ Color(s) \_\_\_\_\_ Extended? Yes  No

• Do you have existing graphics that need removed? Yes  No

• Can you provide photos of the vehicle? Yes  No



Slide Door -or-  Swing Doors

\*If yes for rear windows, select one:

Window Perf  Vinyl Coverage  No Vinyl on Windows

\*If yes for side windows, select one:

Window Perf  Vinyl Coverage  No Vinyl on Windows

Wheelbase Length

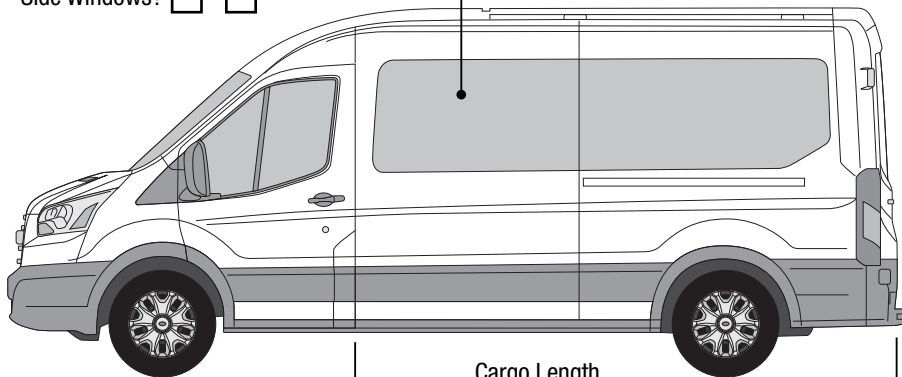
Roof Height

Low

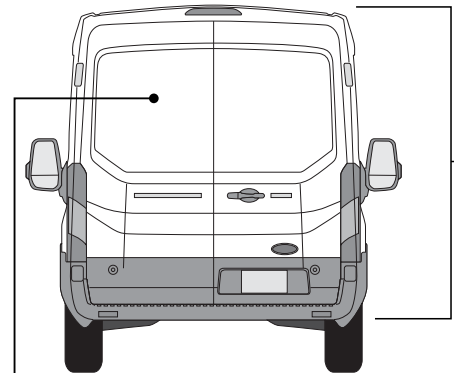
Medium

High

\*Side Windows? Yes  No



Cargo Length



\*Rear Windows? Yes  No

Signature \_\_\_\_\_ Date \_\_\_\_\_

Additional Notes:

---



---



---