



PICK-UP TRUCK MEASUREMENT SHEET

Ph: 239-908-0505

info@spectrumsignworks.com

Fax: 239-908-0507

1474 Rail Head BLVD, Naples FL

Company _____

Contact _____

Phone _____ Fax _____

Email _____

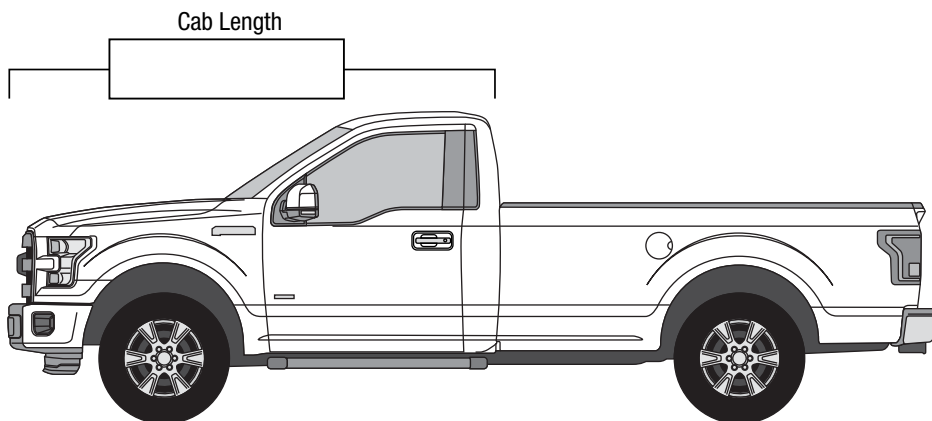
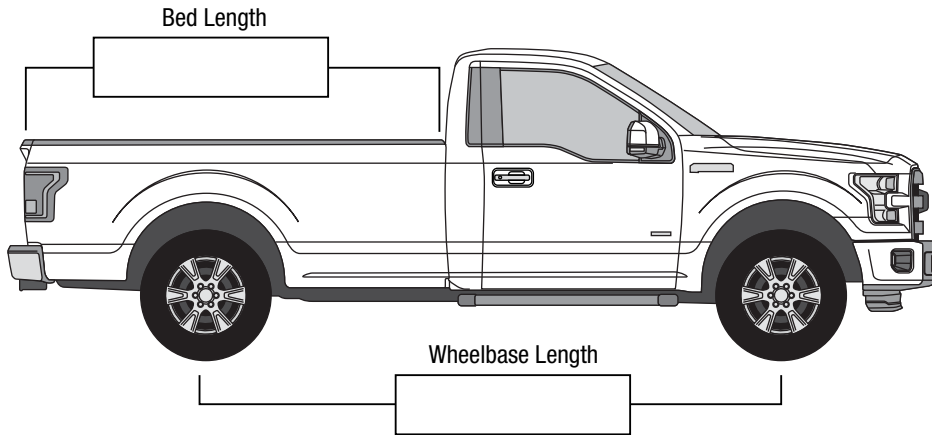
Vehicle: Make _____ Model _____

Year _____ Color(s) _____ Extended? Yes No

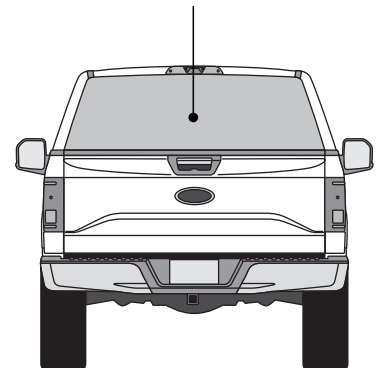
• Do you have existing graphics that need removed? Yes No

• Can you provide photos of the vehicle? Yes No

• Cab Option: Regular Extended Double Crew



Window Perf on back window? Yes No



Signature _____ Date _____

Additional Notes:
