

READY POP FABRIC POP UP DISPLAY 8FT STRAIGHT



*Optional 150 watt halogen lights



*Package includes padded nylon travel bag

Product Features

Our ultra lightweight aluminum alloy fabric pop-up display in a matte satin anodized finish is an ideal eye-catcher for your trade show, exhibition, or conference. Its versatility and simple 2-minute setup, as well as its Velcro attachment, makes it functional for special events as well as an in-office promotional tool for walk-in customers. Another convenient feature is that your graphic stays attached in your free travel/carry bag that comes with each frame you purchase.

Display Dimension	89"W x 89"H x 12"D
Graphic Size	112.60"W x 88.75"H

Graphic Material

Fabric

Graphic Finishing

2" loop Velcro perimeter

Construction

Aluminum Frame

2" Hook Velcro Strips

Plastic Hooks

Weights - Dimensions

Shipping Weight	38lbs
Shipping Dimensions	36" x 16" x 15"

Package Includes

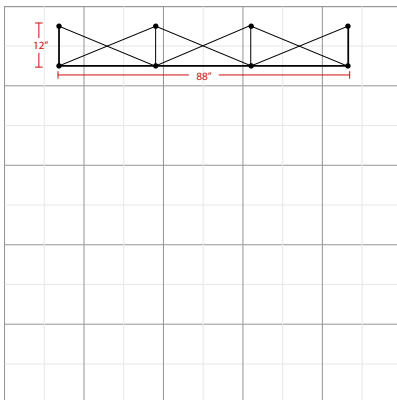
- (1) Aluminum Frame
- (1) Digital Print on Fabric w/ End Panels
- (1) Padded Nylon Bag with drawstring
- (1) Wheel Frame for Carry Bag

Warranty

- Life Time on Stand
- 1 Year on Graphic

Graphic Specification

112.60"W x 88.75"H



The box represents 10' x 10' booth.

READY POP FABRIC POP UP DISPLAY 8FT CURVED



*Optional 150 watt halogen lights



*Package includes padded nylon travel bag

Product Features

Our ultra lightweight aluminum alloy fabric pop-up display in a matte satin anodized finish is an ideal eye-catcher for your trade show, exhibition, or conference. Its versatility and simple 2-minute setup, as well as its Velcro attachment, makes it functional for special events as well as an in-office promotional tool for walk-in customers. Another convenient feature is that your graphic stays attached in your free travel/carry bag that comes with each frame you purchase.

Display Dimension	106.75"W x 88.75"H
Graphic Size	90"W x 89"H x 24"D

Graphic Material

Fabric

Graphic Finishing

2" loop Velcro perimeter

Construction

Aluminum Frame

2" Hook Velcro Strips

Plastic Hooks

Weights - Dimensions

Shipping Weight	28lbs
Shipping Dimensions	41" x 18" x 17"

Package Includes

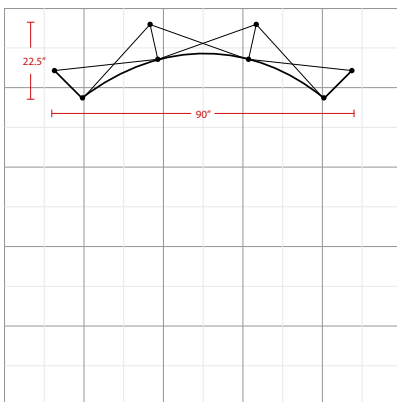
- (1) Aluminum Frame
- (1) Digital Print on Fabric w/ End Panels
- (1) Padded Nylon Bag with drawstring
- (1) Wheel Frame for Carry Bag

Warranty

- Life Time on Stand
- 1 Year on Graphic

Graphic Specification

106.75"W x 88.75"H



The box represents 10' x 10' booth.

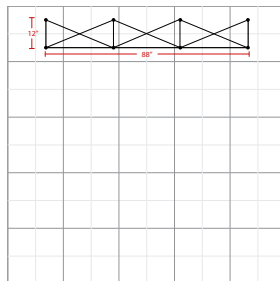
RPL FABRIC DISPLAY 8FT STRAIGHT



*Optional LED light



*Package includes padded nylon travel bag



The box represents 10' x 10' booth.

Product Features

Ultra lightweight aluminum alloy fabric pop-up display in a matte satin anodized finish is an ideal eye-catcher for your trade show, exhibition, or conference. Its versatility and simple 2-minute setup, as well as its Velcro attachment, makes it functional for special events as well as an in-office promotional tool for walk-in customers. Another convenient feature is that your graphic stays attached in your free travel/carry bag that comes with each frame you purchase.

Display Dimension	89"W x 89"H x 12"D
Graphic Size	88"W (114"W with endcaps) x 89.5"H

Graphic Material

Stretch Fabric

Graphic Finishing

2" loop Velcro perimeter

Construction

Aluminum Frame

2" Hook Velcro Strips

Plastic Hooks

Weights - Dimensions

Shipping Weight	26lbs
Shipping Dimensions	12" x 12" x 35"

Package Includes

- (1) Aluminum Frame
- (1) Digital Print on Fabric w/ End Panels
- (1) Padded Nylon Bag with drawstring

Warranty

- Life Time on Stand
- 1 Year on Graphic

Graphic Specification

88"W (114"W with endcaps) x 89.5"H

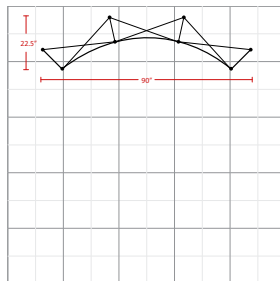
RPL FABRIC DISPLAY 8FT CURVE



*Optional LED light



*Package includes padded nylon travel bag



The box represents 10' x 10' booth.

Product Features

Ultra lightweight aluminum alloy fabric pop-up display in a matte satin anodized finish is an ideal eye-catcher for your trade show, exhibition, or conference. Its versatility and simple 2-minute setup, as well as its Velcro attachment, makes it functional for special events as well as an in-office promotional tool for walk-in customers. Another convenient feature is that your graphic stays attached in your free travel/carry bag that comes with each frame you purchase.

Display Dimension	89"W x 89"H x 12"D
Graphic Size	81.24"W (106.75"W with endcaps) x 89.5"H

Graphic Material

Stretch Fabric

Graphic Finishing

2" loop Velcro perimeter

Construction

Aluminum Frame

2" Hook Velcro Strips

Plastic Hooks

Weights - Dimensions

Shipping Weight	26lbs
Shipping Dimensions	12" x 12" x 35"

Package Includes

- (1) Aluminum Frame
- (1) Padded Nylon Bag with drawstring

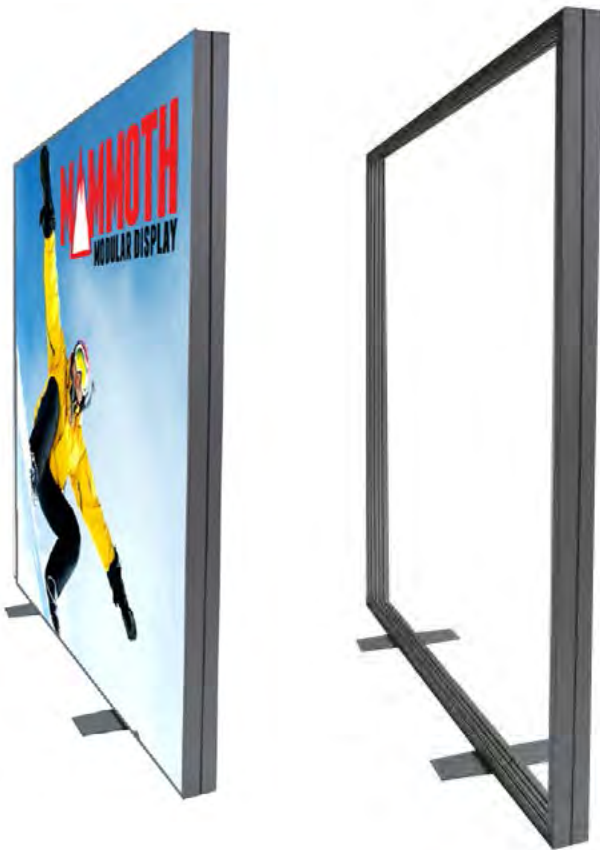
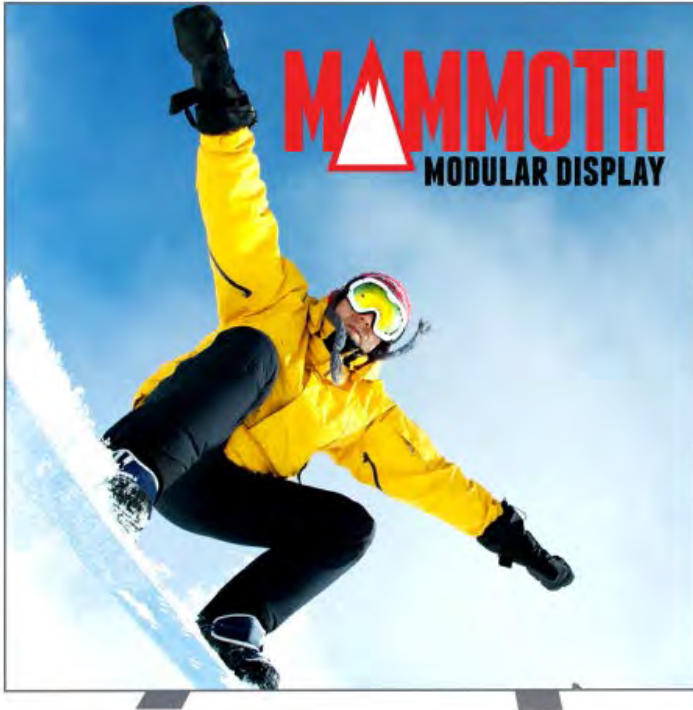
Warranty

- Life Time on Stand
- 1 Year on Graphic

Graphic Specification

81.24"W (106.75"W with endcaps) x 89.5"H

MAMMOTH 8FT DISPLAY (NON-BACKLIT)



Product Features

The Mammoth Fabric Frame System is the perfect blend of class and versatility. The edges of the fabric press into the frame making graphic installation and change out simple. Available in various width and height configurations as well as double sided display. Floor, ceiling, and all mounted display is possible with the use of optional accessories.

Display Dimension	7.8' W x 7.8' H
Graphic Size	94.5" x 94.5"

Graphic Material

T Fabric

Graphic Finishing

Design graphic to the size and add an inch bleed around the perimeter. The graphics are printed on our Backlit Display Fabric. A rubber strip will be sewn into the edge of the graphic and makes for easy installation into the frame. The rubber strip is about 1/4" and will not be seen when placed on frames.

Construction

Aluminum Framework

Steel Feet

Weights - Dimensions

Shipping Weight	87 lbs
Shipping Dimensions	52" x 22" x 13"

Package Includes

Frame pieces (qty 8)

Straight frame connectors (qty 4)

L bracket frame connectors (qty 4)

Feet (qty 2)

Bolts for feet (qty 8)

Case (qty 1)

Warranty

Lifetime on Stand

1 year on Graphic

Graphic Specification

94.5" x 94.5"



Foot Connected to Frame



TAHOE TWISTLOCK X



New Feature: Twistlock



Wheeled Case (Included)

Product Features

Introducing the all new tahoe twistlock modular display, redesigned to be completely toolless. Replicated to keep the striking look of the Classic tahoe, the tahoe twistlock is much easier to set up and 50% faster. Simply, twist the pieces together to lock into place, and untwist to disassemble. The tahoe twistlock is available in size 10ft., 13ft., and 20ft. and is fully customizable, making it the perfect modular back wall display. Did we mention it's toolless?

Display Dimension	117.3"W x 96"H
Graphic Size	84.5"W x 84.5"H

Graphic Material

Fabric

Construction

Aluminum Frame Construction

Back wall hardware

Arch Canopy Frame (2" Aluminum Tubing)

Stretch fabric canopy cover

Frosted Plex Header & Wings

Weights - Dimensions

Shipping Weight	140 lbs
Shipping Dimensions	21" x 17" x 53"

Package Includes

- (3) Small Acrylic Shelves with Brackets
- (1) Acrylic Table With Brackets
- (1) Canopy Frame w/Pillow Case (Gray/Silver)
- (4) Acrylic Wings with Brackets
- (2) Feet
- (4) Vertical Twist Lock Extrusions
- (4) Horizontal Extrusions
- (1) Hard Case, including inner packing material, with Tahoe logo
- (1) Acrylic Header with Brackets
- (1) Instructions

Warranty

- Lifetime warranty on frame
- One year warranty on graphic

Graphic Specification

84.5"W x 84.5"H

Graphic Turnaround Time is 2 business days for up to 2 sets

6FT TABLETOP PANEL DISPLAY

Velcro Receptive Fabric



Reversible Panel Color Options

Coal / **Silver**
PMS Black c / PMS 421 c

Dark Blue / **Light Blue**
PMS 289 c / PMS 287 c



Front Back



Front Back

Graphic



Product Features

The 6 foot tabletop features three main panels and header panel. The 360 degrees fast folding hinge system makes for a speedy assembly and gives total ease to use. Just unfold and place on table!

Extruded aluminum frame. Velcro receptive fabric. Reversible/Stackable panels. Heavy duty construction. Multiple configurations. Fast setup and tear down. 2 tone color.

Display Dimension	72"W x 48"H when fully open
Graphic Size	Header: 22.625"W x 10.25"H Main Board: 22.625"W x 34.25"H

Construction

Aluminum frame with Velcro receptive panels

Weights - Dimensions

Shipping Weight	13 lbs
Shipping Dimensions	42" x 28" x 6"

Package Includes

- (1) 3-Section panel display
- (1) Travel bag
- (1) Header panel
- (1) Repair kit (3 Extra hinges)

Graphic Specification

Header : 22.625"W x 10.25"H
Main Board : 22.625"W x 34.25"H



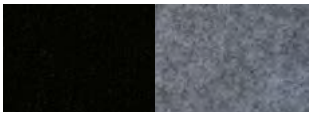
8FT TABLETOP PANEL DISPLAY



Reversible Panel Color Options

Coal / **Silver**
PMS Black c / PMS 421c

Dark Blue / **Light Blue**
PMS 289c / PMS 287c



Front Back



Front Back

Product Features

The 8 foot tabletop features four main panels and 4 header panels. The 360 degrees fast folding hinge system makes for a speedy assembly and gives total ease to use. Just unfold and place on table!

Extruded aluminum frame. Velcro receptive fabric. Reversible/Stackable panels. Heavy duty construction. Multiple configurations. Fast setup and tear down. 2 tone color.

Display Dimension	97"W x 48"H when fully open
Graphic Size	Header: 22.625"W x 10.25"H Main Board: 22.625"W x 34.25"H

Construction

Aluminum frame with Velcro receptive panels

Weights - Dimensions

Shipping Weight	22 lbs
Shipping Dimensions	42" x 28" x 6"

Package Includes

- (1) 4-Section panel display
- (1) Travel bag
- (4) Header panels
- (1) Repair kit (3 Extra hinges)

Graphic Specification

Graphic Size: Header: 22.625"W x 10.25"H
Main Board: 22.625"W x 34.25"H



8FT BACKWALL PANEL DISPLAY

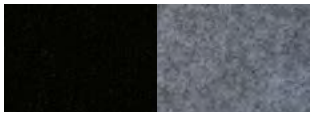
Velcro Receptive Fabric



Reversible Panel Color Options

Coal / **Silver**
PMS Black c / PMS 421c

Dark Blue / **Light Blue**
PMS 289c / PMS 287c



Front Back



Front Back

Graphic



Product Features

The 8 foot Backwall features eight main panels and 4 header panels. The 360 degrees fast folding hinge system makes for a speedy assembly and gives total ease to use.

Extruded aluminum frame. Velcro receptive fabric. Reversible/Stackable panels. Heavy duty construction. Multiple configurations. Fast setup and tear down. 2 tone color.

Display Dimension	97"W x 84"H when fully open
Graphic Size	Header: 22.625"W x 10.25"H Main Board : 22.625"W x 34.25"H

Construction

Aluminum frame with Velcro receptive panels

Weights - Dimensions

Shipping Weight	34 lbs
Shipping Dimensions	52" x 28" x 10"

Package Includes

- (2) 4-Section panel display
- (1) Travel bag
- (4) Header panels
- (1) Repair kit (3 Extra hinges)

Graphic Specification

Graphic Size: Header: 22.625"W x 10.25"H
Main Board : 22.625"W x 34.25"H



* Spot light and Shelf are optional



WINGSPAN 8FT GRAPHIC PACKAGE



Graphic for Hard Case is optional.



Product Features

The Wingspan Pop Up Display comes with everything you need to effectively promote your product at any trade show for a fraction of the price of other displays.

Display Dimension	22'W x 39"H x 17"D
Graphic Size	133.67"W x 90.16"H

Graphic Material

.020 PVC Panels

Graphic Finishing

Magnetic strips on the sides and hanging hardware on top and bottom

Construction

Aluminum frame

Magnetic strips and hooks on top

Aluminum channel bars w/ magnetic strips

Weights - Dimensions

Shipping Weight	85 lbs
Shipping Dimensions	17"x17"x40"

Package Includes

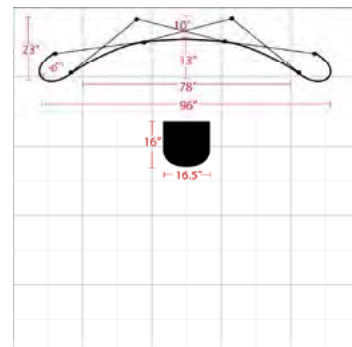
- (1) Aluminum frame w/bag
- (5) 3 Section channel bars
- (1) Medium Hard Case
- (2) Lights
- (1) Key
- (3) Graphic center panels
- (2) Graphic end panels
- (1) Repair Kit

Warranty

- Life time on Stand
- 1 year on graphic

Graphic Specification

133.67"W x 90.16"H



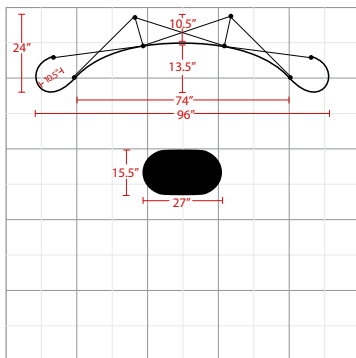
The box represents 10'x10' booth.

BIG WAVE 8FT POP UP DISPLAY GRAPHIC PACKAGE

Graphic Package



*Podium graphic is optional.



The box represents 10'x10' booth.

Product Features

The big Wave Pop Up Display, a trade show classic, comes with everything you need to effectively promote your product. Designed specifically to fit 10ft. trade show booths, the straightforward look of the Big Wave gives a professional presentation. Expand the geometric aluminum frame, click locking mechanisms into place, and hang the graphic panels to complete set up. various styles and sizes available up to 20ft wide. Choose from PVC or laminate material.

Display Dimension	8'W x 7.4'H x 2D'
Graphic Size	132.679"W x 88.96"H

Graphic Material

12 Mil Titanium Blockout Film / 10 Mil Polycarbonate Overlaminate

Graphic Finishing

Magnetic strips on the sides and hanging hardware on top and bottom

Construction

Aluminum frame

Laminated panels w/ magnetic strips

Aluminum channel bars w/ magnetic strips

Weights - Dimensions

Shipping Weight	95 lbs
Shipping Dimensions	40" x 28" x 18"

Package Includes

- (1) Aluminum frame w/bag
- (14) Silver channel bars
- (1) Podium case w/ lid
- (2) 150 watt halogen lights
- (1) Instruction sheet
- (1) Lid fabric
- (1) Podium wrap
- (4) Black channel bars
- (1) Repair kit
- (3) Graphic center panels
- (2) Graphic end panels
- (1) Channel bar bag

Warranty

- Life time on Stand
- 1 year on Graphic

Graphic Specification

132.679"W x 88.96"H

EZ TUBE 8FT STRAIGHT



Product Features

Sleek and "EZ", our tension fabric systems are a great alternative to standard backwall displays. Quickly assembled in just 5 minutes, slide the tubes together to make the frame and lock in place with a push button snap. Then, simply pull the pillowcase-like graphic over the frame and zip it shut. The zipper, hidden from view, tightens the stretch fabric beautifully displaying your images. Disassembled, the lightweight frame and graphic fits inside a compact silver bag. The EZ Tube is available in 5 sizes and different styles. Quantity Prices are also available on our website.

Display Dimension	96"W x 89"H
Graphic Size	89.50"W x 86.50"H

Graphic Material

Stretch Fabric

Graphic Finishing

Sewn on the left, bottom, right and zipper on top.

Construction

Aluminum Frame

Weights - Dimensions

Shipping Weight	32 lbs
Shipping Dimensions	13"W x 53"H x 8"D

Package Includes

Aluminum Frame

2 Flat Feet

Travel bag with wheel

Single of Double Sided Graphic

Warranty

Life time on Frame

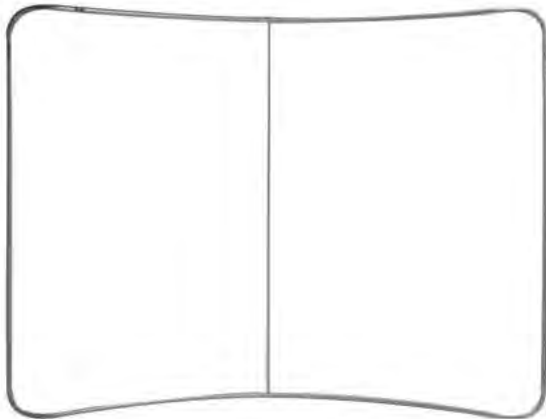
1 year on Graphic

Graphic Specification

89.50"W x 86.50"H



EZ Tube Silver Bag with wheels
48"Wx 12"H x 6"D



Product Features

Sleek and "EZ", our tension fabric systems are a great alternative to standard backwall displays. Quickly assembled in just 5 minutes, slide the tubes together to make the frame and lock in place with a push button snap. Then, simply pull the pillowcase-like graphic over the frame and zip it shut. The zipper, hidden from view, tightens the stretch fabric beautifully displaying your images. Disassembled, the lightweight frame and graphic fits inside a compact silver bag. The EZ Tube is available in 5 sizes and different styles. Quantity Prices are also available on our website.

Display Dimension	96"W x 89"H
Graphic Size	98"W x 88.25"H

Graphic Material

Stretch Fabric

Graphic Finishing

Sewn on the left, bottom, right and zipper on top.

Construction

Aluminum Frame

Weights - Dimensions

Shipping Weight	28 lbs
Shipping Dimensions	53" x 13" x 8"

Package Includes

Aluminum Frame

Travel Bag with wheel

Single or Double Sided Graphic Print

Warranty

Life time on Stand

1 year on Graphic

Graphic Specification

98"W x 88.25"H

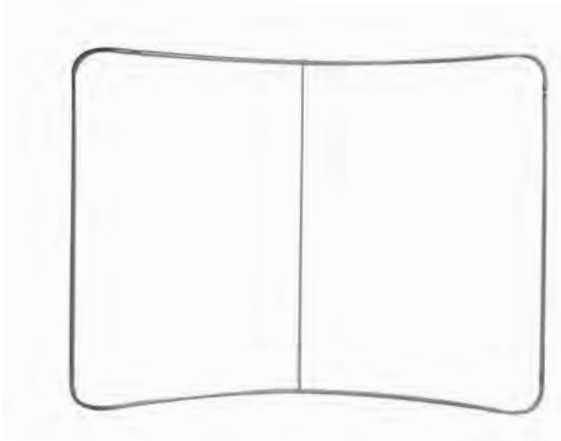


EZ Tube Silver Bag with wheels
47"W x 10"H x 5"D (8 lbs)

Travel bag is included.



Table is not included.



Product Features

Sleek and "EZ", our tension fabric systems are a great alternative to standard backwall displays. Quickly assembled in just 5 minutes, slide the tubes together to make the frame and lock in place with a push button snap. Then, simply pull the pillowcase-like graphic over the frame and zip it shut. The zipper, hidden from view, tightens the stretch fabric beautifully displaying your images. Disassembled, the lightweight frame and graphic fits inside a compact silver bag. The EZ Tube is available in 5 sizes and different styles. Quantity Prices are also available on our website.

Display Dimension	96"W x 60"H
Graphic Size	98"W x 59.25"H

Graphic Material

Stretch Fabric

Graphic Finishing

Sewn on the left, bottom, right and zipper on top.

Construction

Aluminum Frame

Weights - Dimensions

Shipping Weight	24 lb
Shipping Dimensions	40" x 14" x 8"

Package Includes

Aluminum Frame

Travel Case

Warranty

Life time on Stand

1 year on Graphic

Graphic Specification

98"W x 59.25"h



EZ Tube Tabletop Case
(Included)